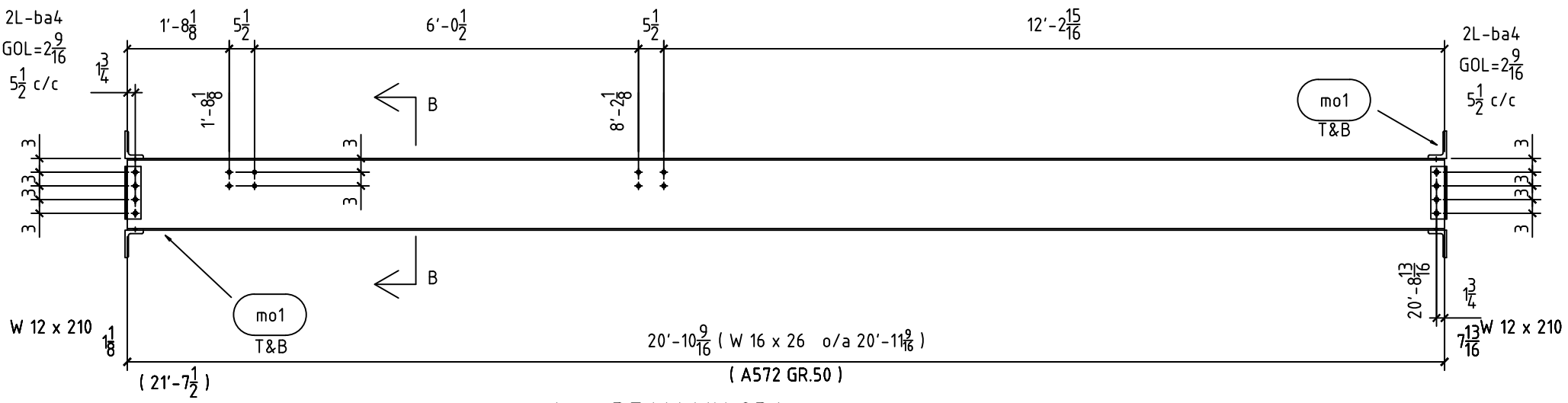
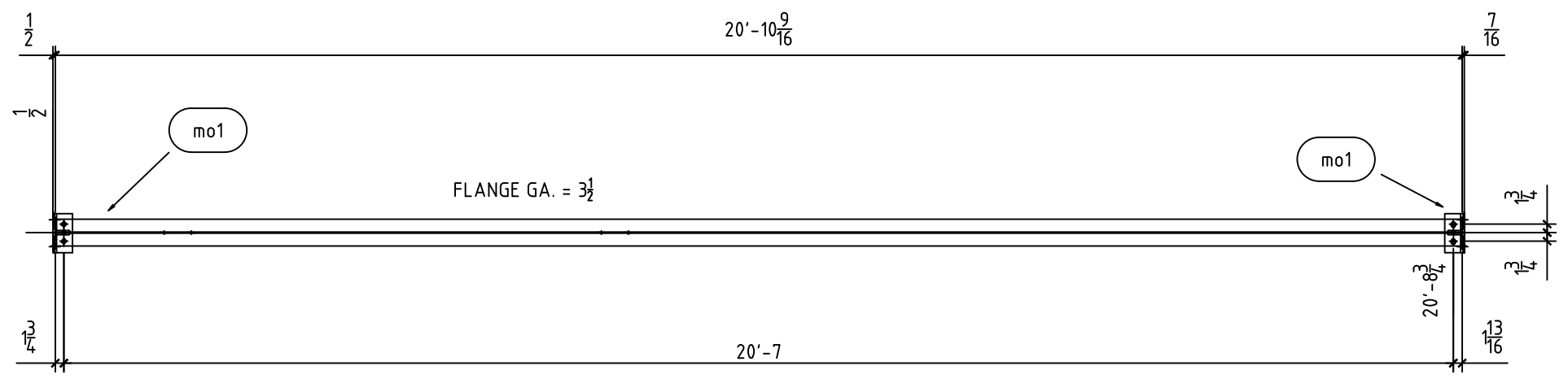
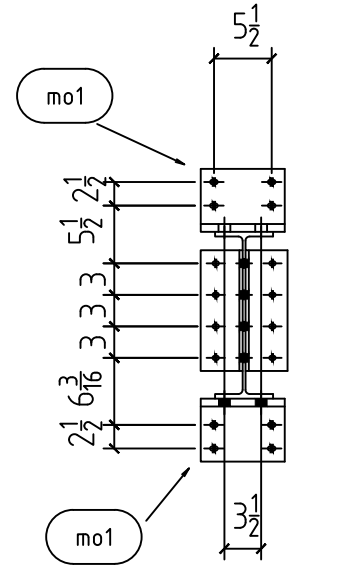


TYPICAL BEAM  
ON 11X17 SHEET



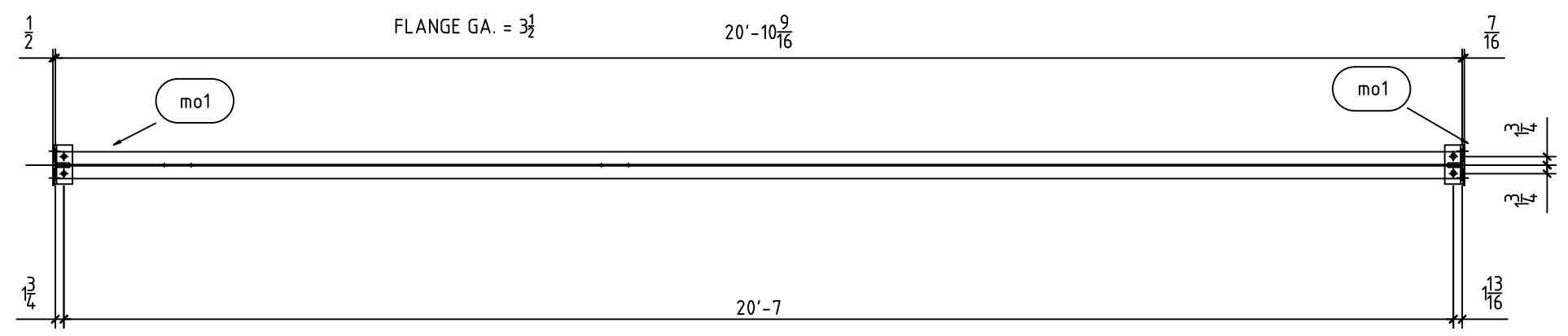
6@ 2 - 3/4" A325TC



SECTION A-A  
SECTION B-B SIM.

1 - BEAM MK 2B1  
Mass: 543 Lb Each

1 - BEAM MK 2C1  
Mass: 543 Lb Each



Total Mass = 1271 Lb.

ITEM	QTY	DESCRIPTION	LENGTH	MASS
mo-1	8	L6 x 4 x 3/4	8	126
ba4	8	L4 x 3 1/2 x 5/16	1 1/2	59
2C1	1	W 16 x 26	20'-10 9/16	543
2B1	1	W 16 x 26	20'-10 9/16	543

APPROVAL	SHOP	
HOLES 13/16 U/NOTED	BOLTS	3/4 A325SC U
WELD 70XX	PAINT	NONE
JOB NAME:	DRAWN BY	CHECKED
LOCATION:	SCALE:	
DESCRIPTION: Beam	DATE:	SHEET 2B
	JOB #	