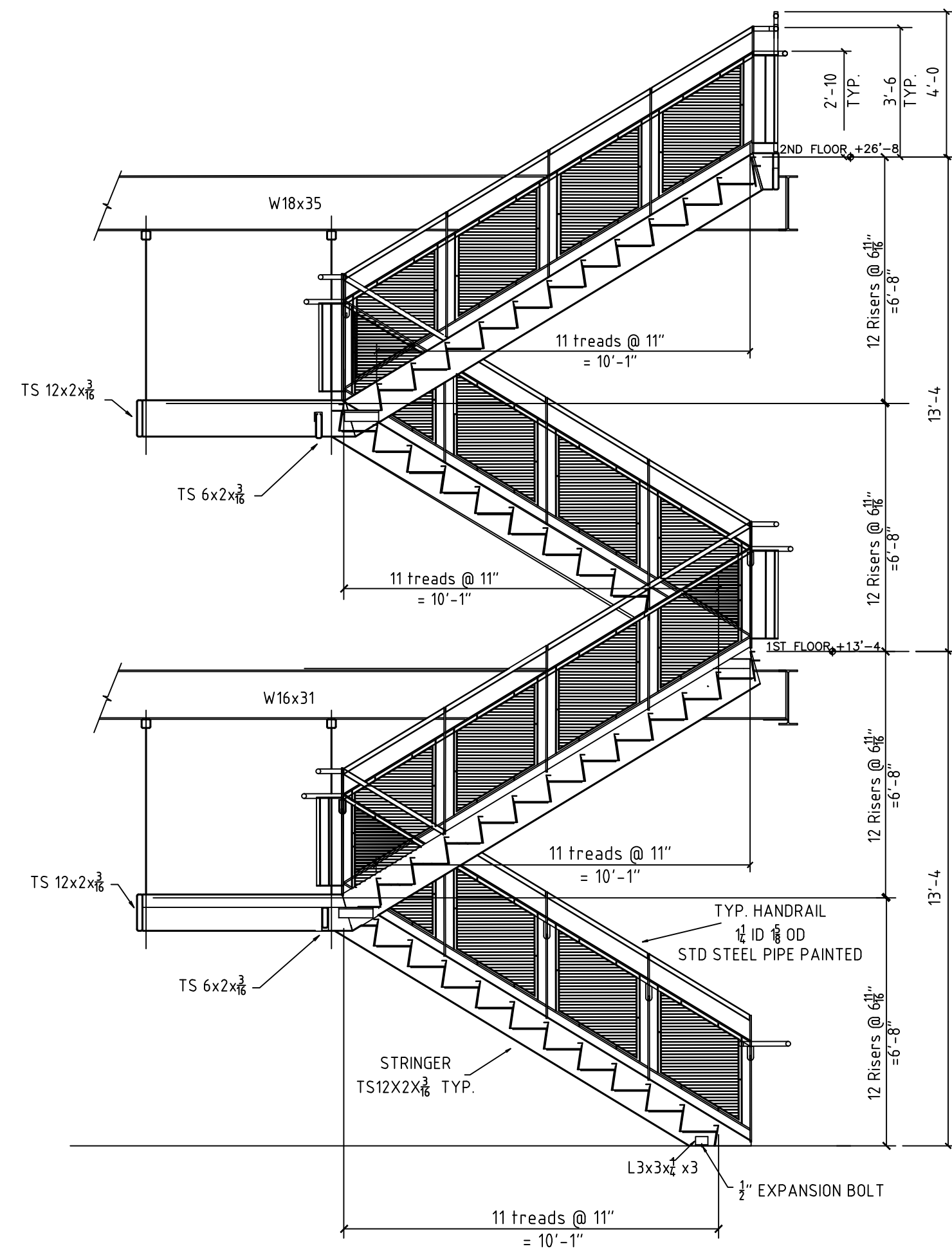
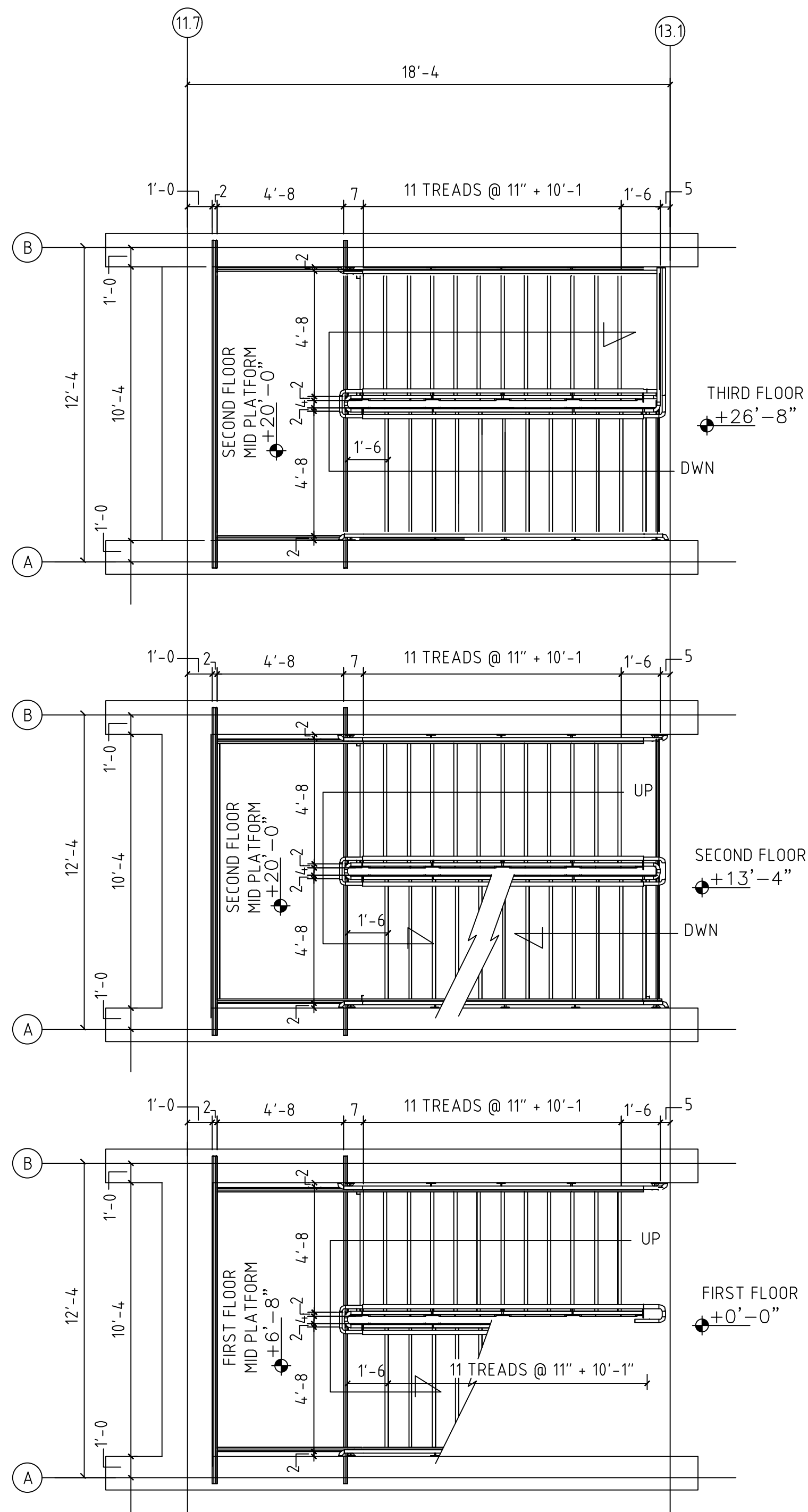


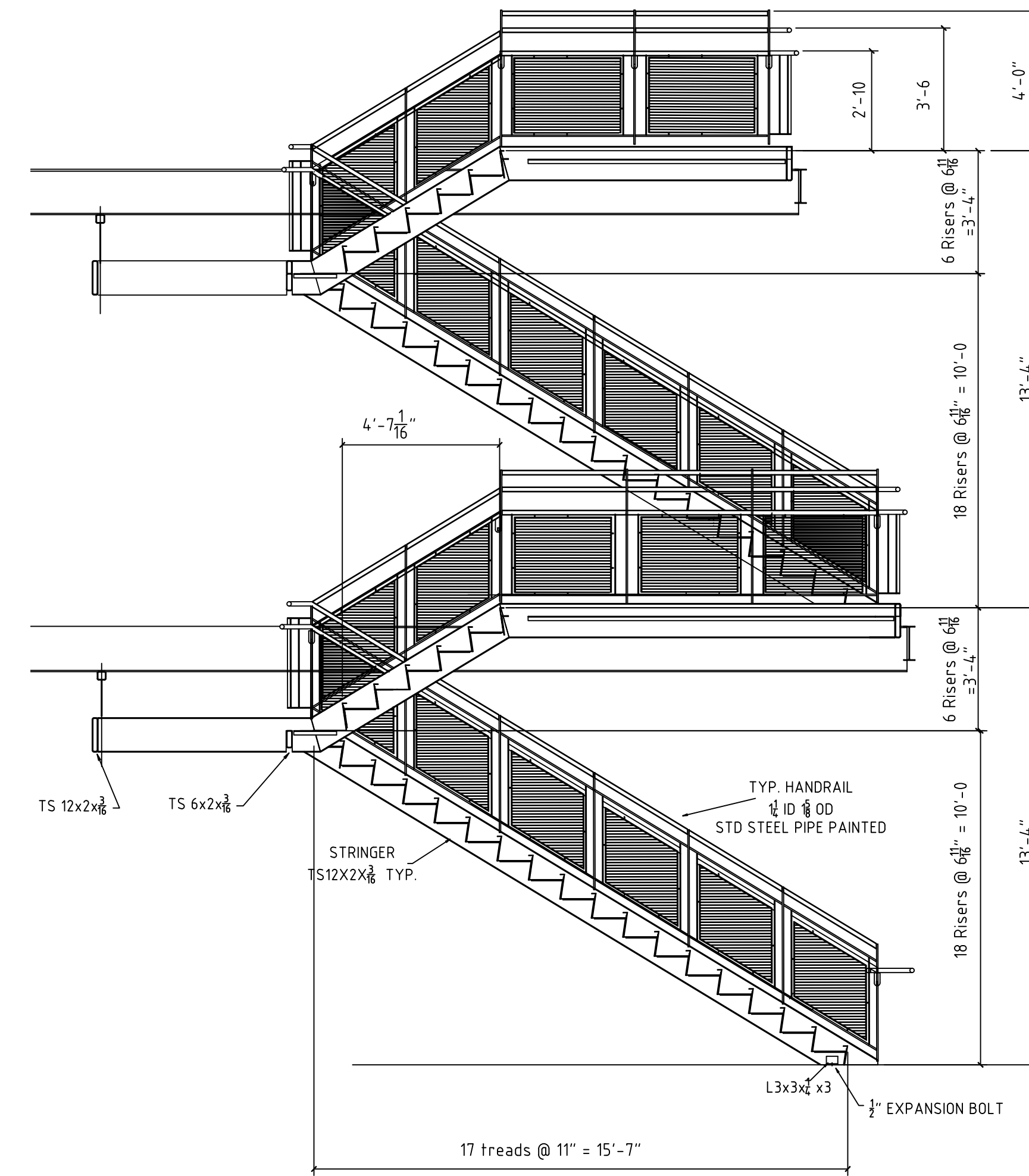
TYPICAL STAIR LAYOUT -- 8 DRAWINGS THAT FOLLOW ARE SHOP LAYOUT DRAWINGS



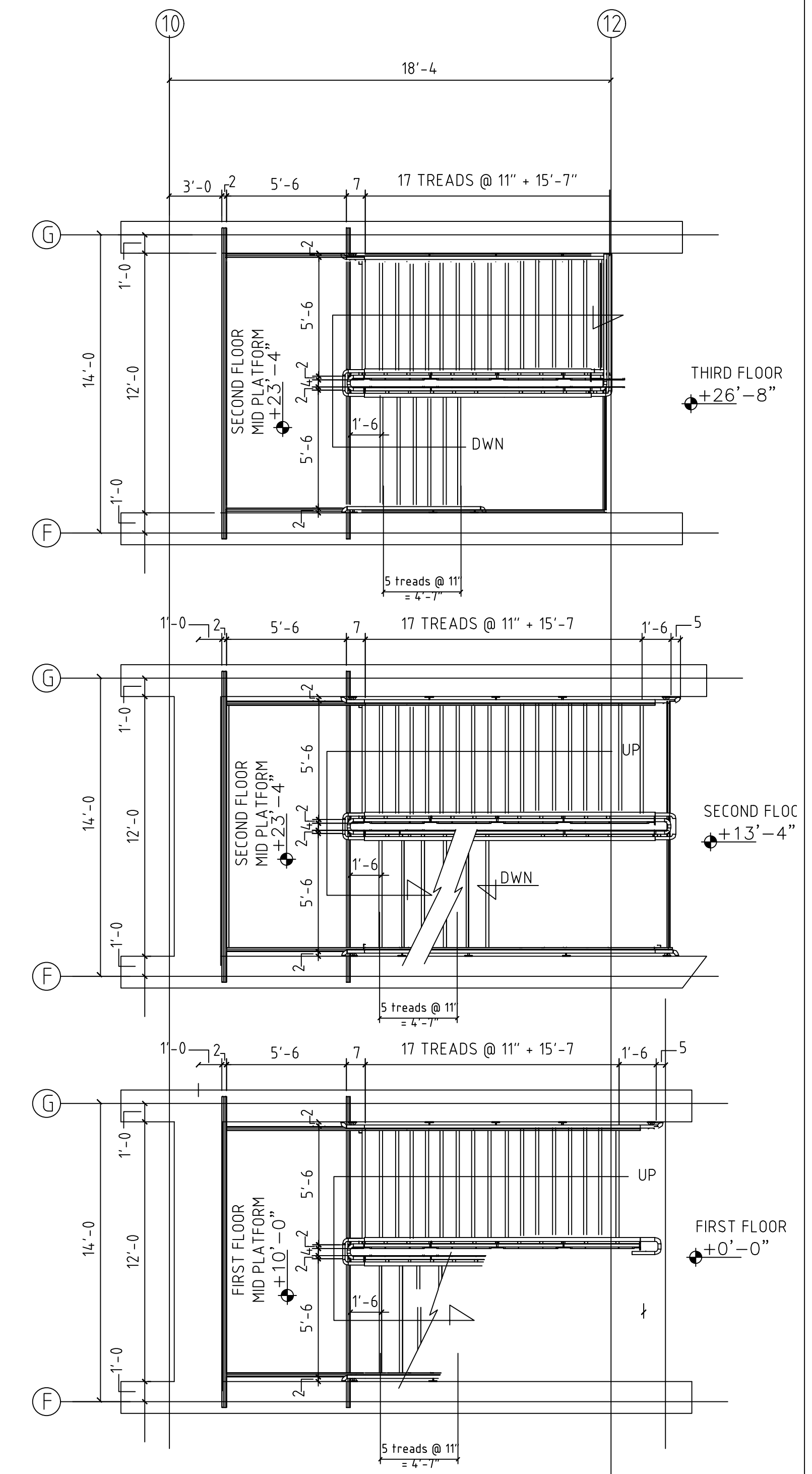
STAIR #1 ELEVATION



STAIR #1 PLANS



STAIR #2 ELEVATION



STAIR #2 PLANS

REV.	DESCRIPTION	BY	DATE
FOR APPROVAL:	TO SHOP:	TO FIELD:	
R & R APPROVAL		AS BUILT:	
JOB NAME:		DRAWN BY: BV	CHECKED BY:
LOCATION:		SCALE: NTS	
CONTRACTOR:		DATE:	
DESCRIPTION:		JOB NUMBER	SHEET
Stair #1 & #2 Plan and Elev.			E2