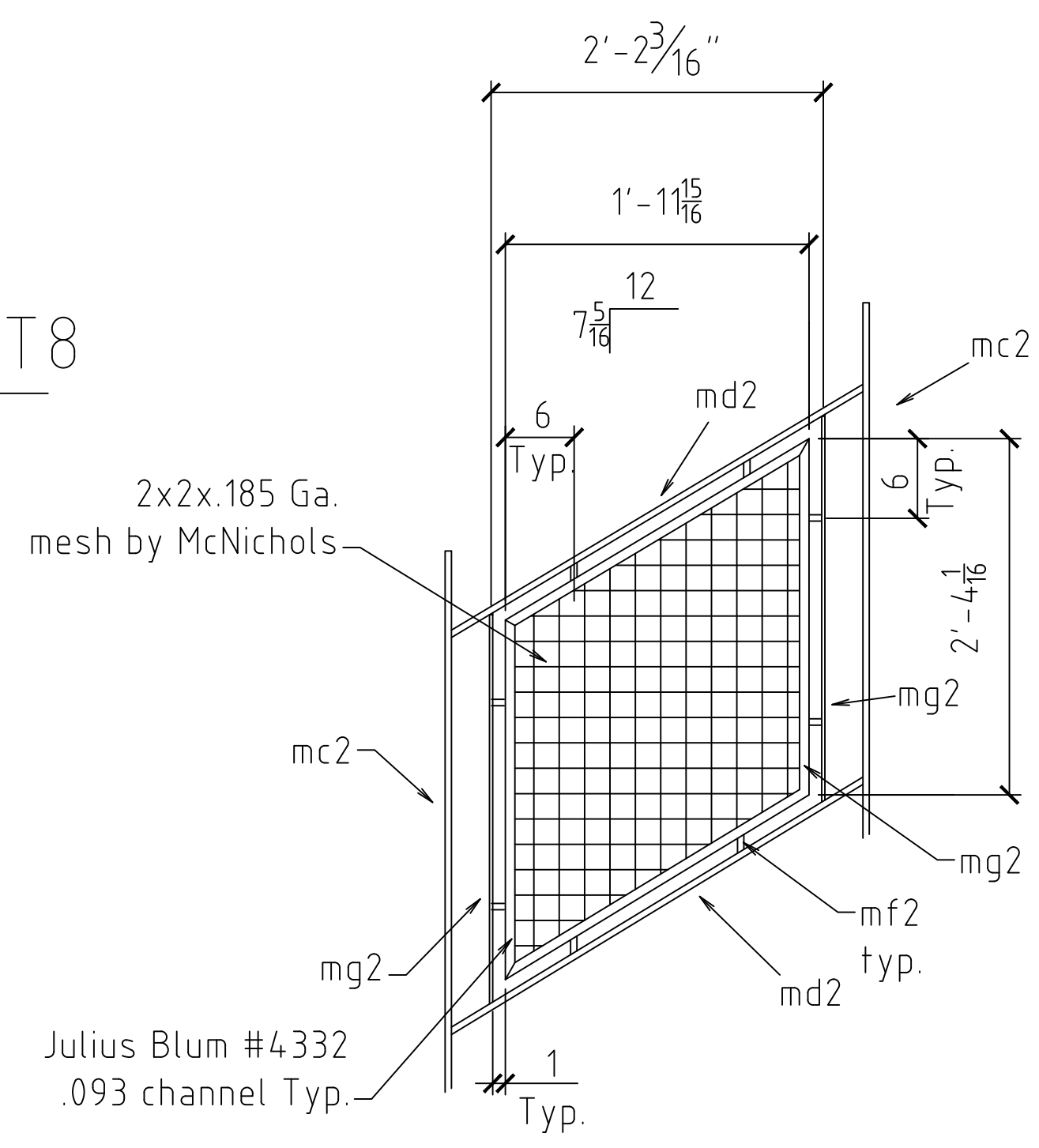


STRINGER ASSEMBLY MK ST8
From 13'-4 Elv. to 20'-0"



ITEM	QTY	DESCRIPTION	LENGTH	REMARK
ST4	1	STRINGER ASSEMBLY		
ma4	1	Ts 12x2x3/16	13'-3/8	
mb4	1	Ts 12x2x3/16	7/8	
mc4	1	Ts 12x2x3/16	1'-3	
ab3	1	L 1/2 x 1/2 x 3/8	1'-3	
ca1	10	PL 1/2 x 3/8	1'-6 1/2	See sheet ST5
cb1	1	PL 1/2 x 3/8	7/4	See sheet ST5
cc1	1	PL 1/2 x 3/8	1'-4	See sheet ST5
Br2	1	Brackets		See sheet ST5
Br3	1	Brackets		See sheet ST5
Br4	3	Brackets		See sheet ST5
mc2	5	PL 1/2 x 1/2	3'-5 1/2	
md2	8	PL 1/2 x 1/2	3'-2 1/2	
mg2	8	PL 1/2 x 1/2	2'-6 1/2	
mf2	32	Bar 1/2 x 1/2	1 1/2	
mj2	1	1/2 Pipe	13'-1	Long
	4	PANELS		
	1	1/2 Pipe	13'-6	Long
mk4	1	PL 1/2 x 1/2	3'-1 1/2	
	1	END CAP		

HOLES 13/16 U/NOTED	BOLTS 3/4 A325SC U/NOTED	WELD 70XX	PAINT ONE SHOP COAT PRIMER GALV.
REV.	DESCRIPTION	BY	DATE
FOR APPROVAL:	TO SHOP:	TO FIELD:	
R & R APPROVAL		AS BUILT:	
JOB NAME:		DRAWN BY: BV	CHECKED BY:
LOCATION:		SCALE: NTS	
		DATE:	
CONTRACTOR: G. Greene Construction Co.		JOB NUMBER	SHEET
DESCRIPTION: STRINGER DETAIL			ST8