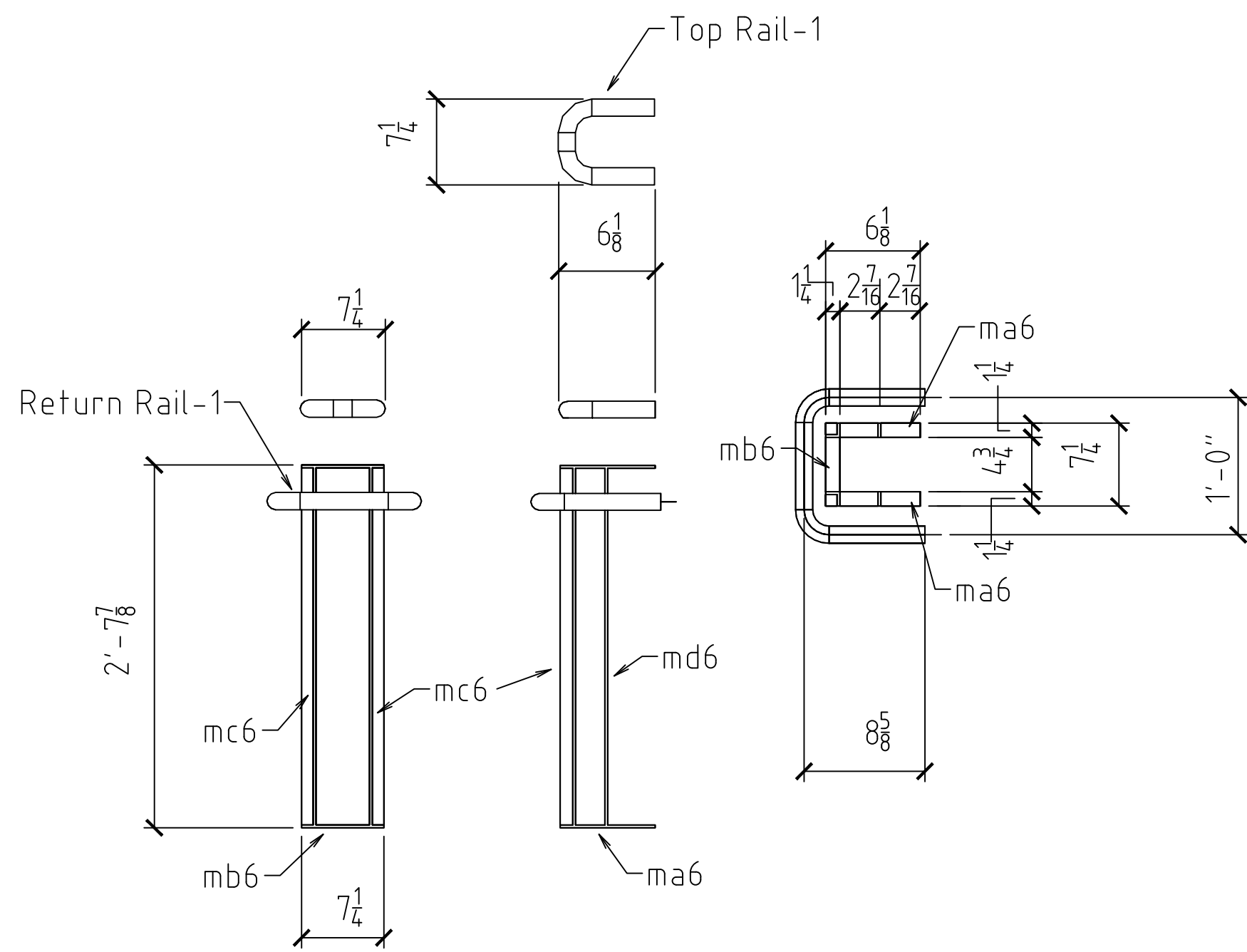
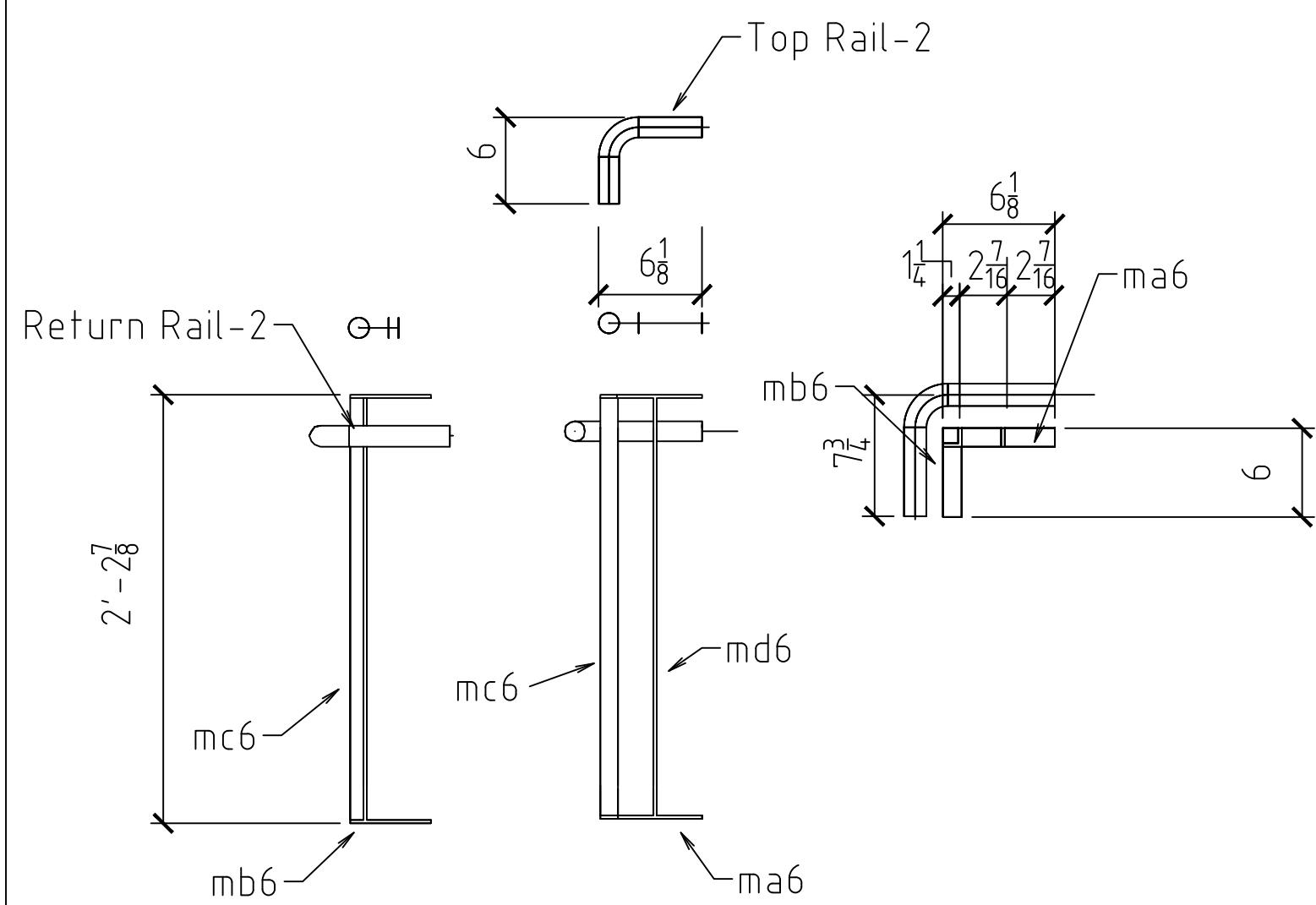


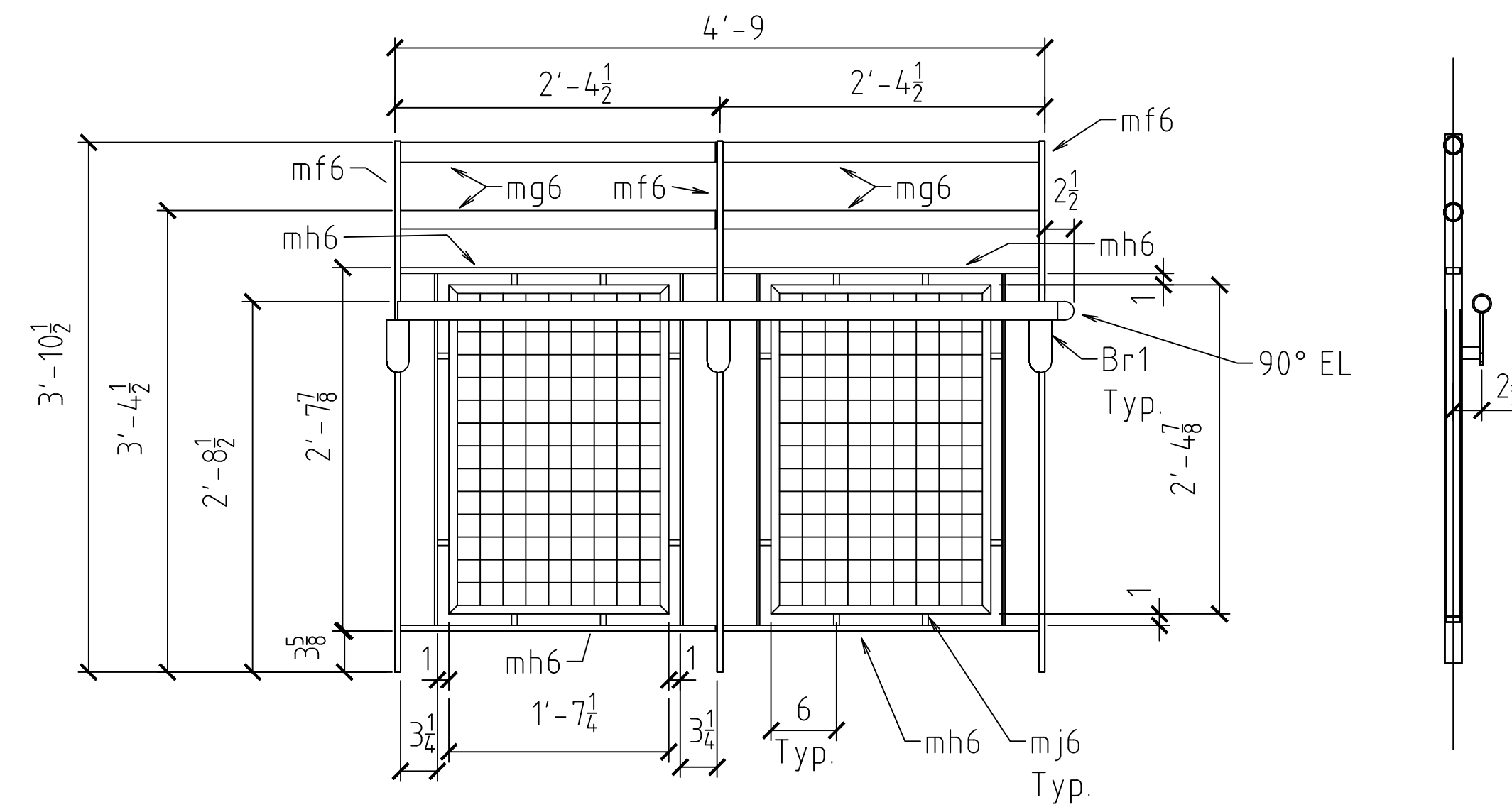
ha6



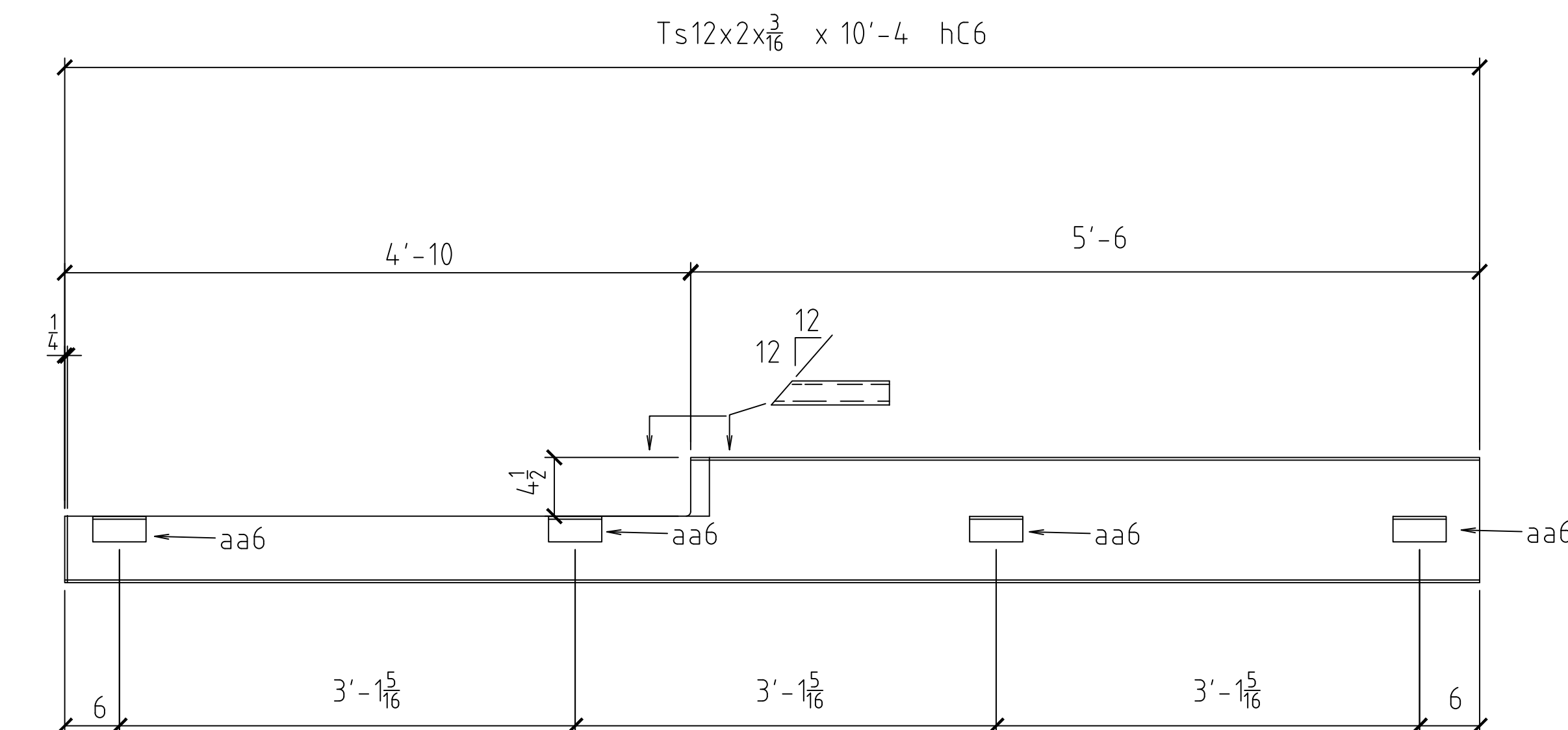
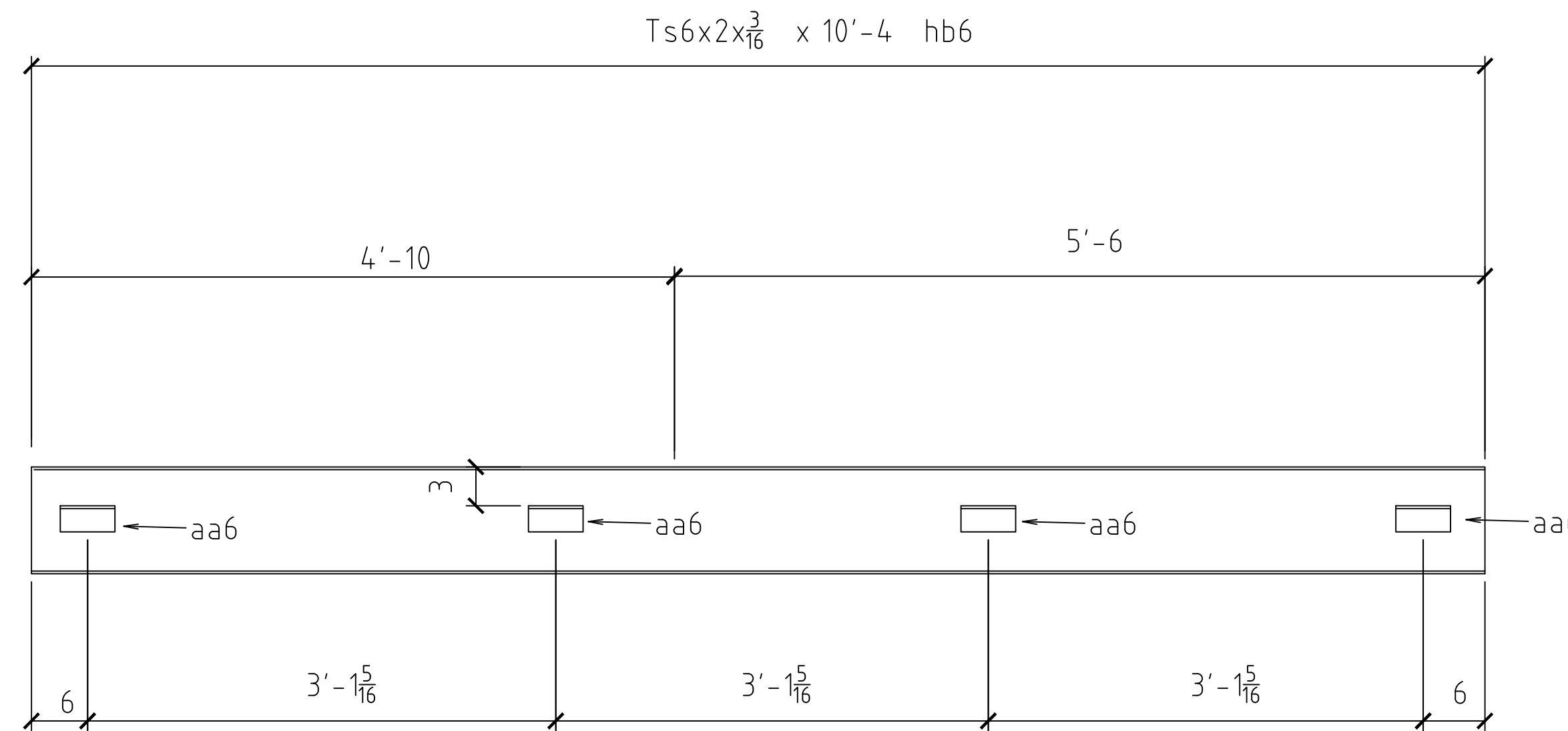
Return Railing Assembly RA1



Return Railing Assembly RA2



GUARDRAIL ASSEMBLY GR1



ITEM	QTY	DESCRIPTION	LENGTH	REMARK
ha6	3	Ts12x6x3/8	8	Cut
RA1	3	Return Assembly		
ma6	12	PL 1/2 x 1 1/2	6 1/2	
mb6	6	PL 1/2 x 1 1/2	4 1/2	
mc6	6	L 1 1/2 x 1 1/2	2'-7 7/8	
md6	6	PL 1/2 x 1 1/2	2'-7 7/8	
	3	Top Rail-1		
	3	Return Rail-1		
RA2	1	Return Assembly		
ma6	2	PL 1/2 x 1 1/2	6 1/2	
mb6	2	PL 1/2 x 1 1/2	4 1/2	
mc6	1	L 1 1/2 x 1 1/2	2'-7 7/8	
md6	1	PL 1/2 x 1 1/2	2'-7 7/8	
	1	Top Rail-2		
	1	Return Rail-2		
GR1	1	Platform Guardrail Assembly		
mf6	3	PL 1/2 x 1 1/2	3'-10 1/2	
mg6	4	1/2 Pipe	2'-4	
mh6	4	PL 1/2 x 1 1/2	2'-4	
md6	4	PL 1/2 x 1 1/2	2'-7 7/8	
mj6	16	Bar 1/2 x 1/2	1	
	1	90° EL		
	1	1/2 Pipe	5'-0	LONG
hb6	1	Ts6x2x3/16	10'-4	
aa6	4	L3x3x3/8	6	
hc6	1	Ts12x2x3/16	10'-4	
aa6	4	L3x3x3/8	6	

HOLES 13/16 U/NOTED	BOLTS 3/4 A325SC U/NOTED	WELD 70XX	PAINT ONE SHOP COAT PRIMER GALV.
REV.	DESCRIPTION	BY	DATE
FOR APPROVAL:	TO SHOP:	TO FIELD:	
R & R APPROVAL		AS BUILT:	
JOB NAME:		DRAWN BY: BV	CHECKED BY:
LOCATION:		SCALE: NTS	
		DATE:	
CONTRACTOR:		JOB NUMBER	SHEET
DESCRIPTION: STRINGER DETAIL			ST6