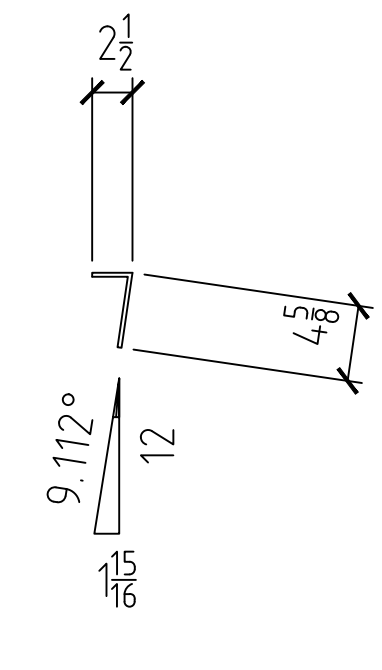
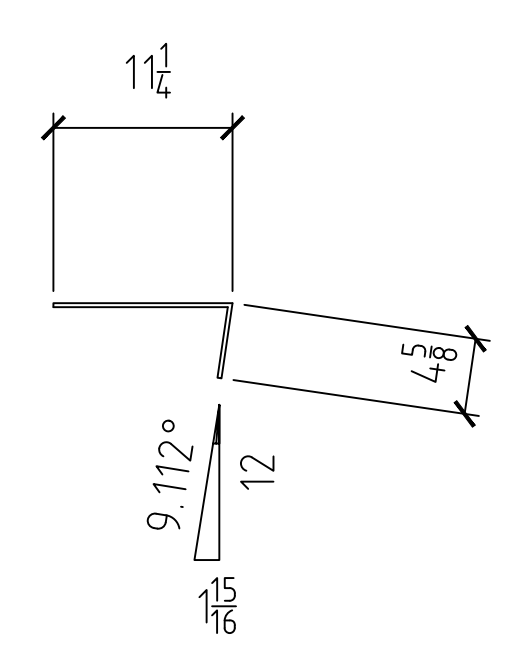


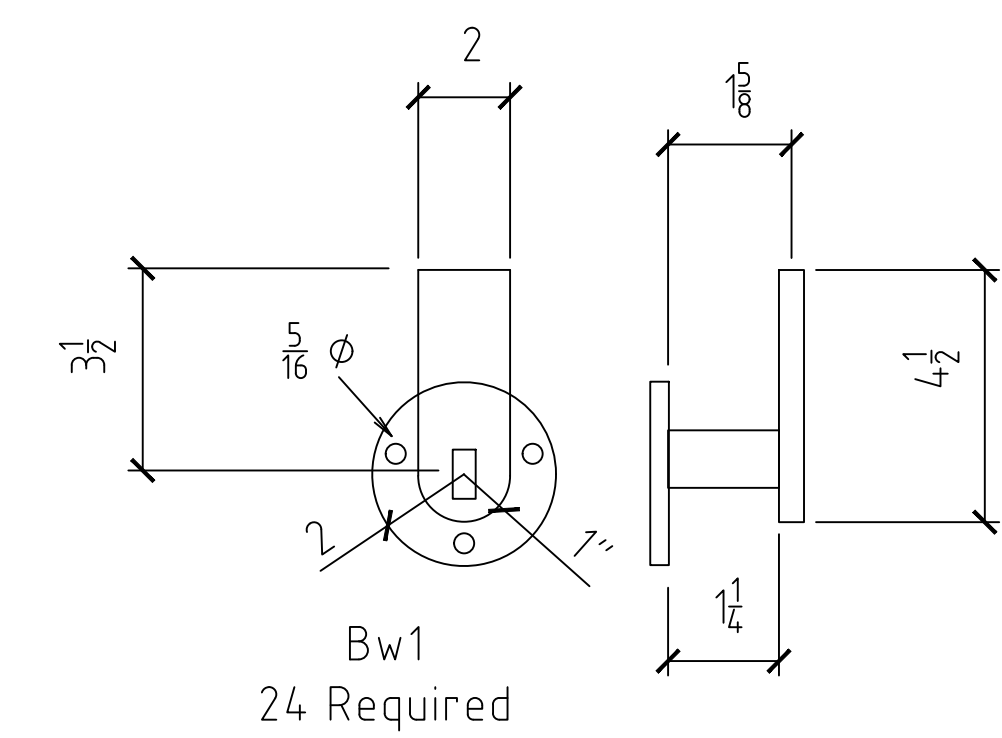
Carrier Bracket
 PL $\frac{3}{16}$ x $1\frac{1}{4}$ x $1'-6\frac{1}{8}$
 MK ca1



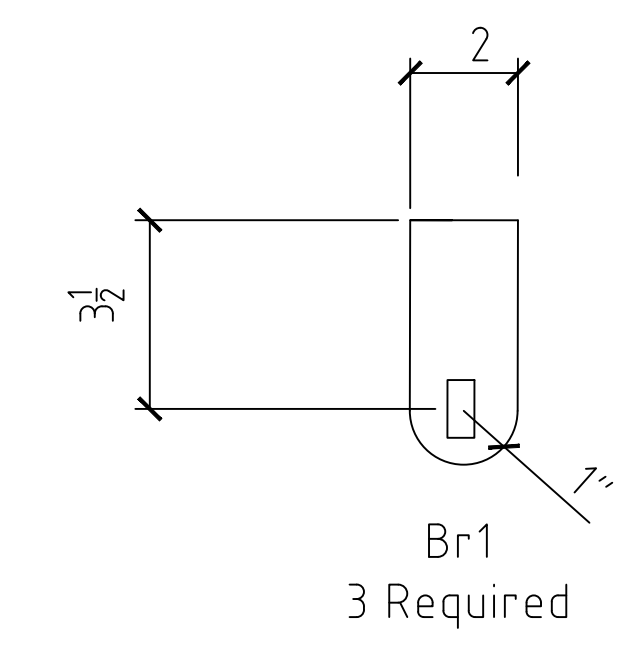
Carrier Bracket
 PL $\frac{3}{16}$ x $1\frac{1}{4}$ x $7\frac{1}{4}$
 MK cb1



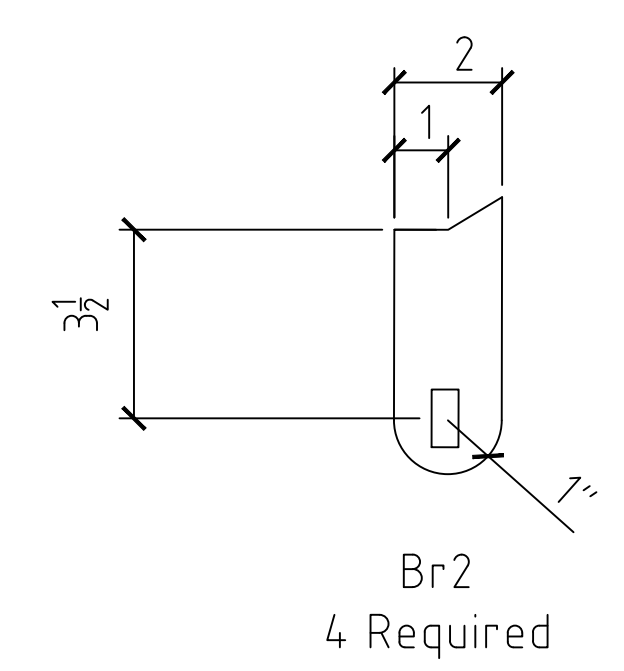
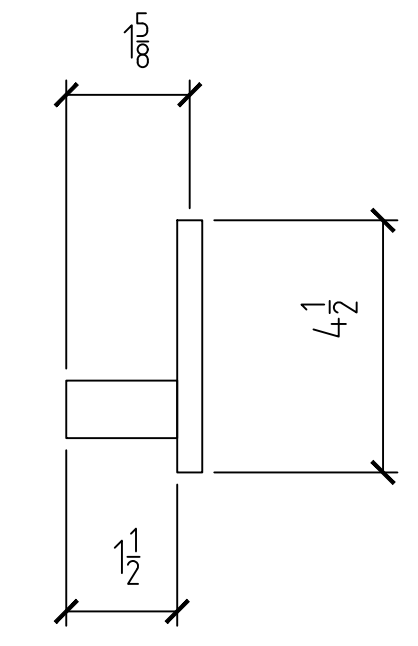
Carrier Bracket
 PL $\frac{3}{16}$ x $1\frac{1}{4}$ x $1'-4$
 MK cc1



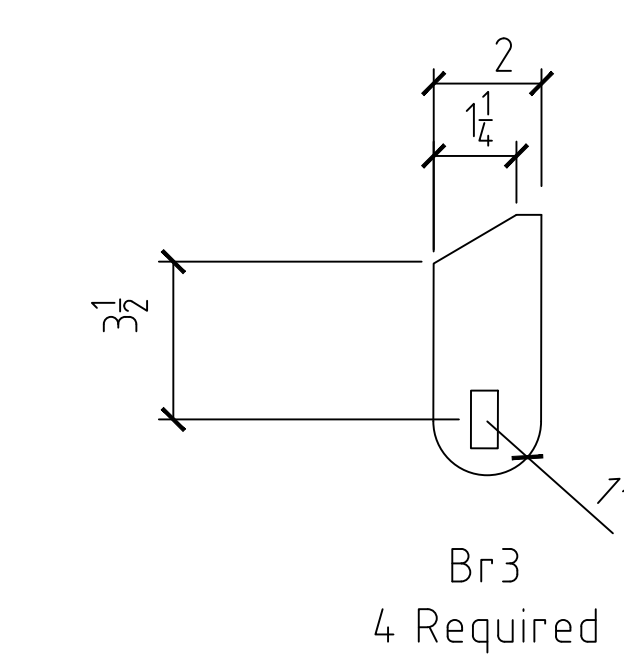
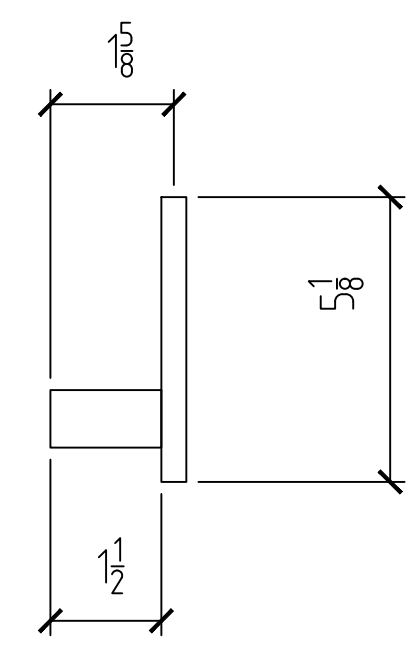
Bw1
 24 Required



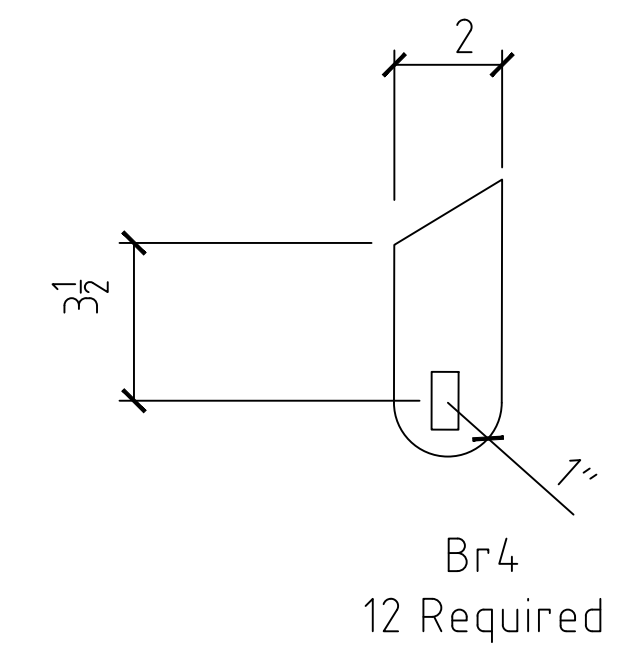
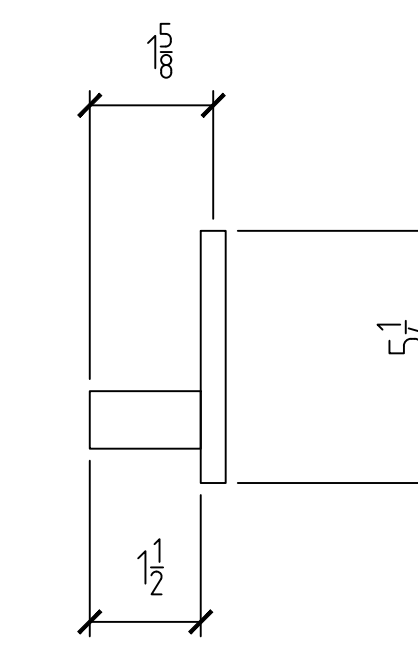
Br1
 3 Required



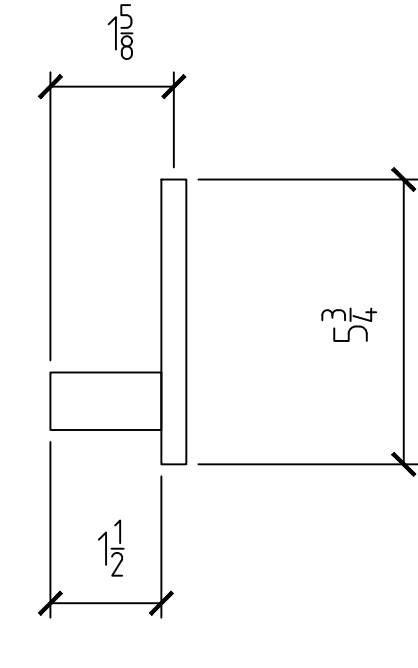
Br2
 4 Required



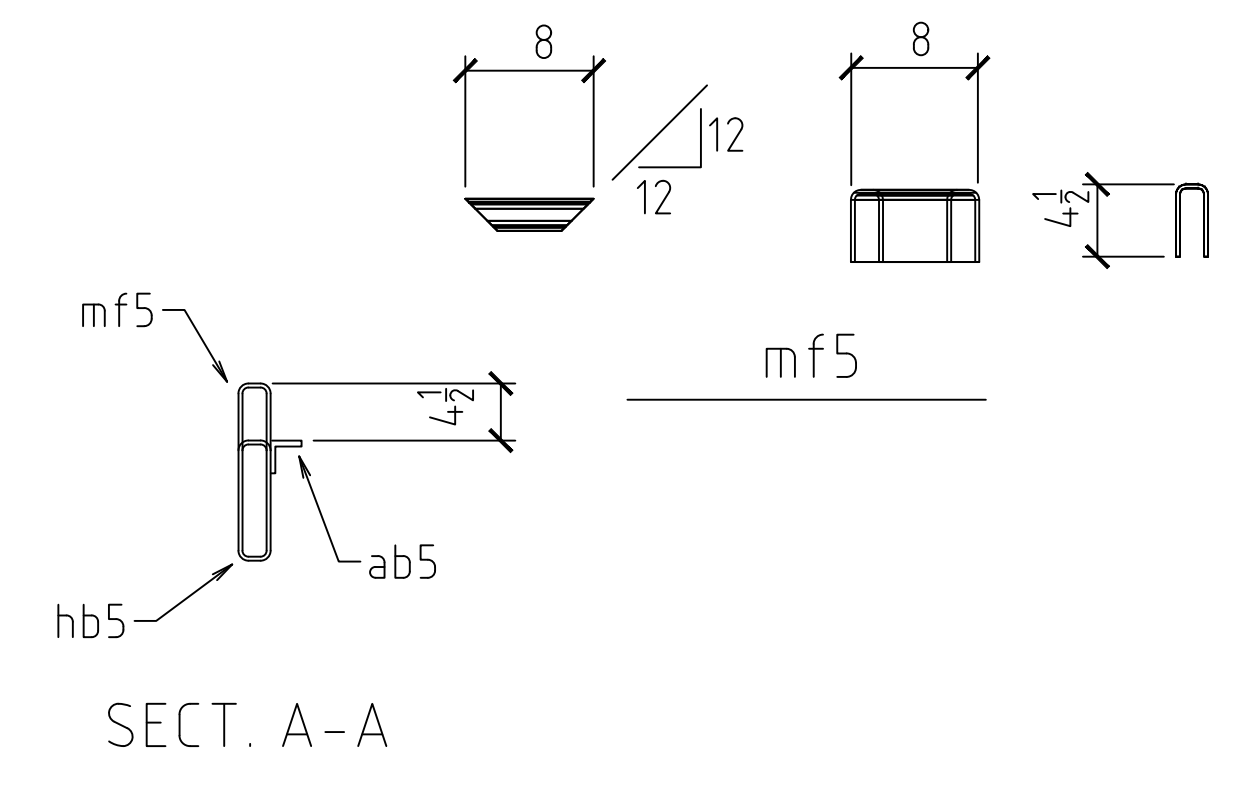
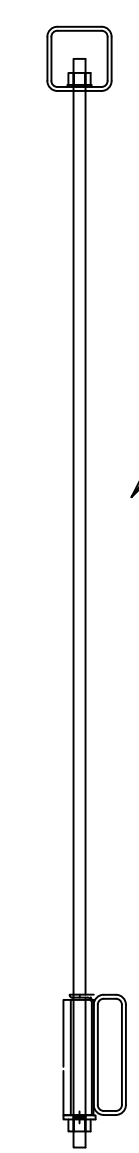
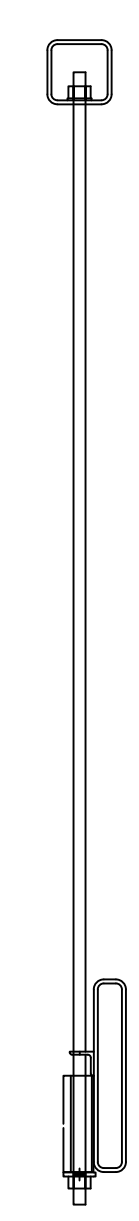
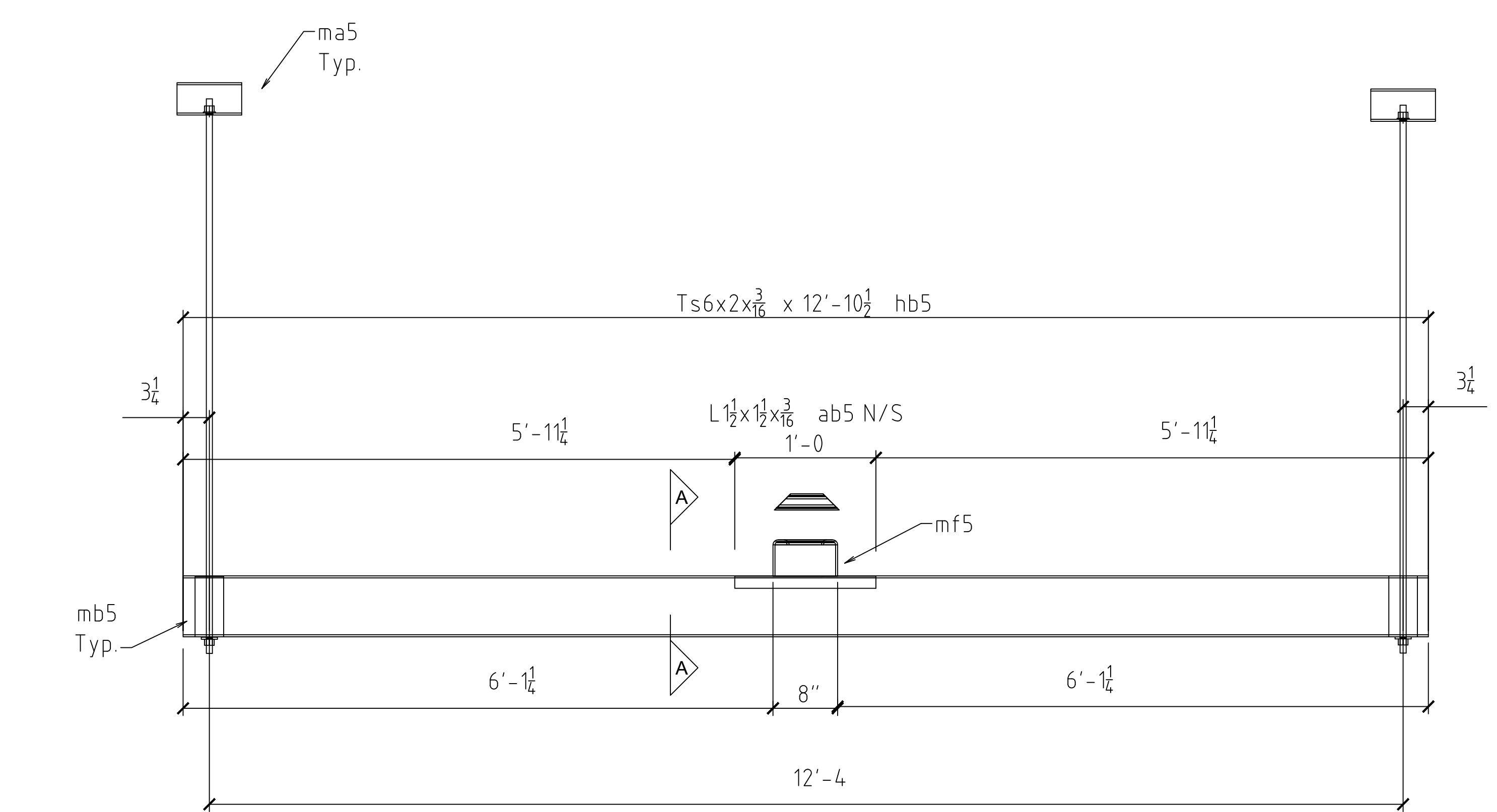
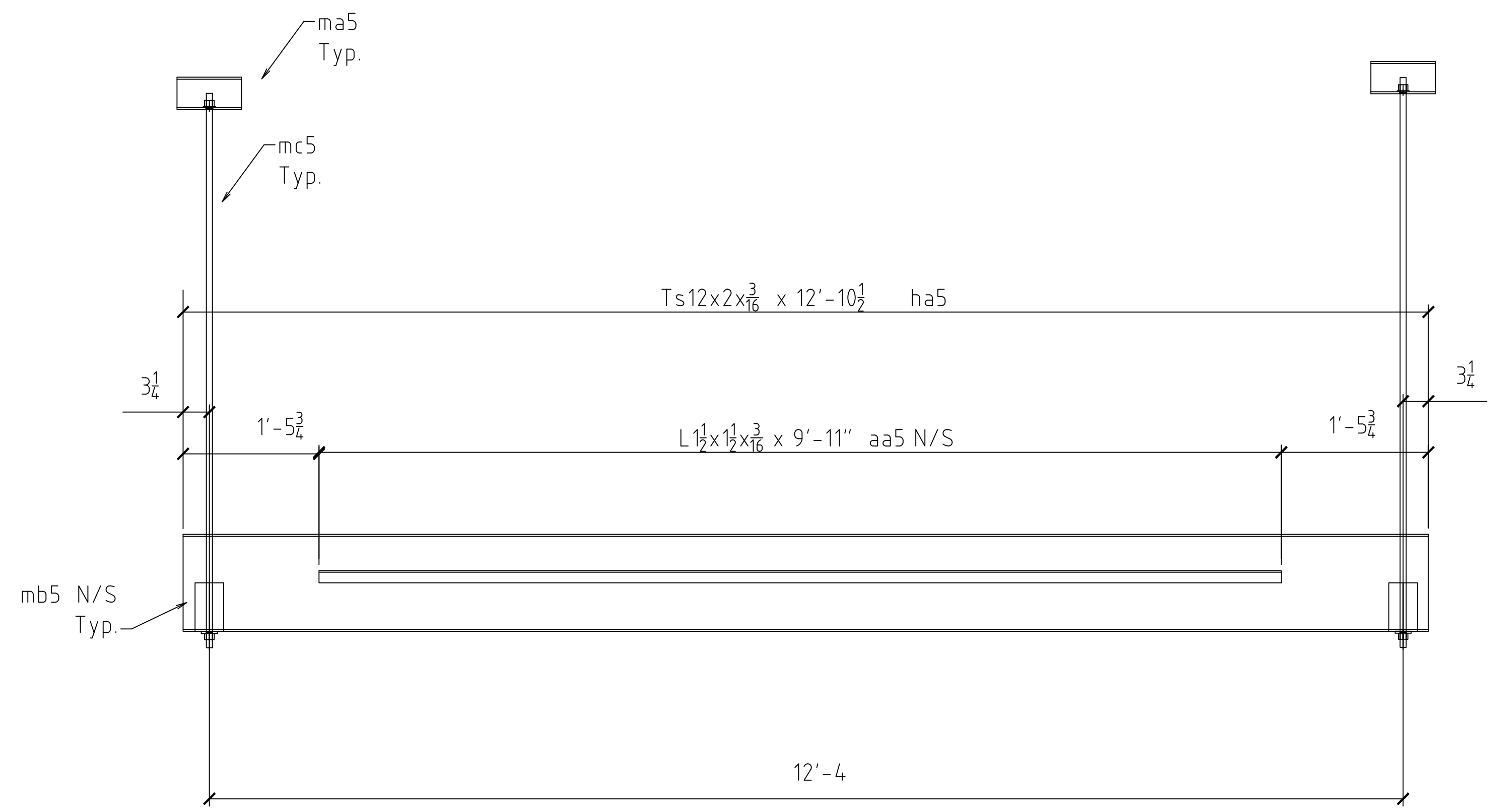
Br3
 4 Required



Br4
 12 Required



ITEM	QTY	DESCRIPTION	LENGTH	REMARK
ca1	66	PL $\frac{3}{16}$ x $1\frac{1}{4}$	1'-6 $\frac{1}{8}$	
ca2	8	PL $\frac{3}{16}$ x $1\frac{1}{4}$	7 $\frac{1}{4}$	
cc1	2	PL $\frac{3}{16}$ x $1\frac{1}{4}$	1'-4 $\frac{1}{8}$	
Br1	3	Bracket		
Br2	4	Bracket		
Br3	4	Bracket		
Br4	12	Bracket		
Bw1	24	Wall Bracket		
ha5	2	Ts 12x2x $\frac{3}{16}$	12'-10 $\frac{1}{2}$	
aa5	2	L $1\frac{1}{2}$ x $1\frac{1}{2}$ x $\frac{3}{16}$	9'-11	
ma5	4	Ts 6x6x $\frac{3}{8}$	7	
mb5	4	L $2\frac{1}{2}$ x $2\frac{1}{2}$ x $\frac{3}{16}$	6	
mc5	4	1" Treaded Rod	5'-10	
mf5	2	Ts 12x6x $\frac{3}{16}$	8	Cut
hb5	2	Ts 12x2x $\frac{3}{16}$	12'-10 $\frac{1}{2}$	
ab5	2	L $1\frac{1}{2}$ x $1\frac{1}{2}$ x $\frac{3}{16}$	1'-0	
ma5	4	Ts 6x6x $\frac{3}{8}$	7	
mb5	4	L $2\frac{1}{2}$ x $2\frac{1}{2}$ x $\frac{3}{16}$	6	
mc5	2	1" Treaded Rod	5'-10	
md5	2	1" Treaded Rod	5'-8	
mc5	6	1" Treaded Rod	5'-10	
	2	1" Treaded Rod	5'-8	



HOLES	13/16 U/NOTED	BOLTS	3/4 A325SSC U/NOTED	WELD	70XX	PAINT	ONE SHOP COAT PRIMER GALV.
REV.	DESCRIPTION			BY	DATE		
FOR APPROVAL:	TO SHOP:		TO FIELD:		AS BUILT:		
R & R APPROVAL							
JOB NAME:	DRAWN BY:		BV	CHECKED BY:			
LOCATION:	SCALE:		NTS				
CONTRACTOR:		JOB NUMBER		SHEET			
DESCRIPTION:		STRINGER DETAIL		ST5			