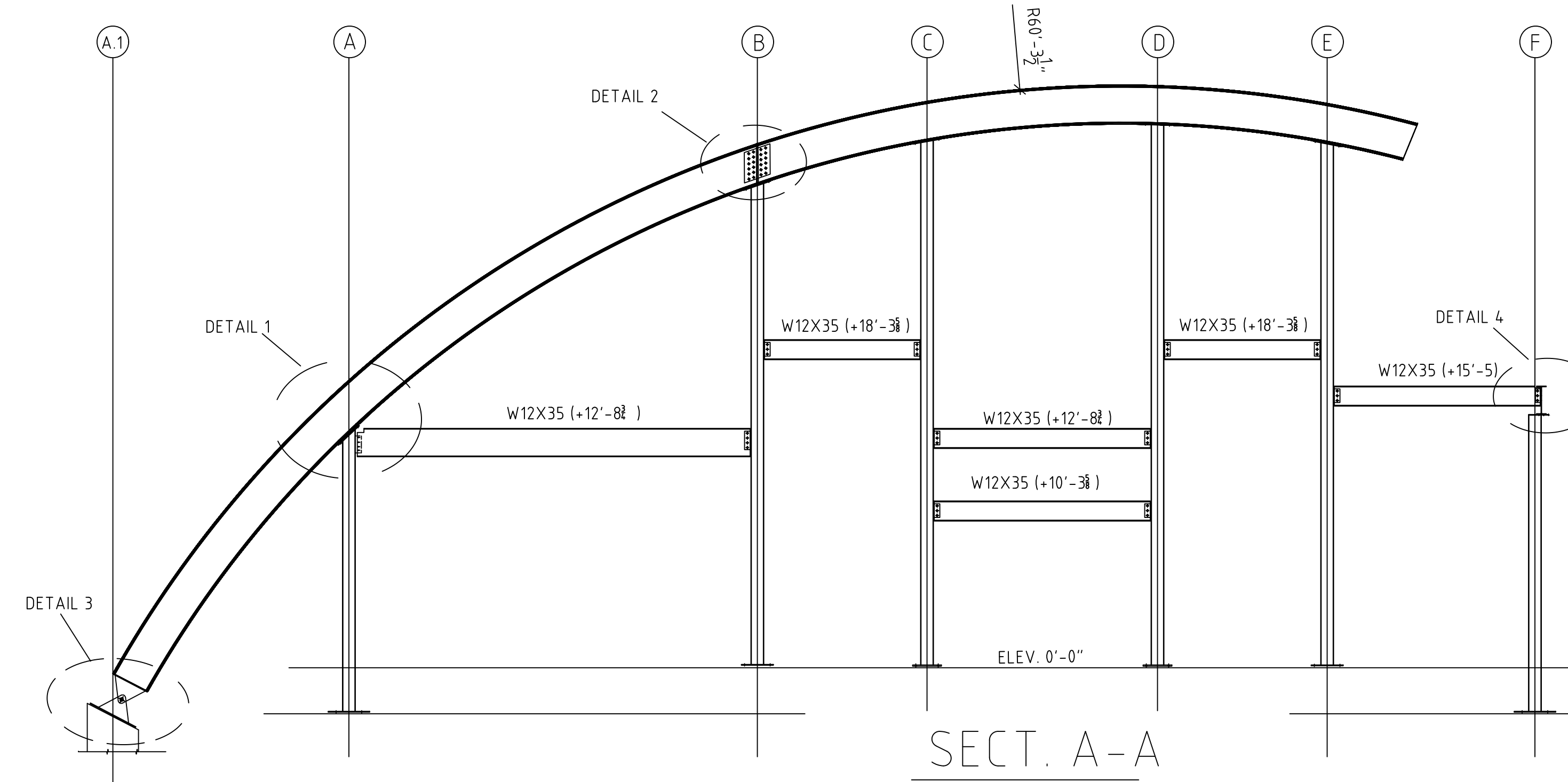
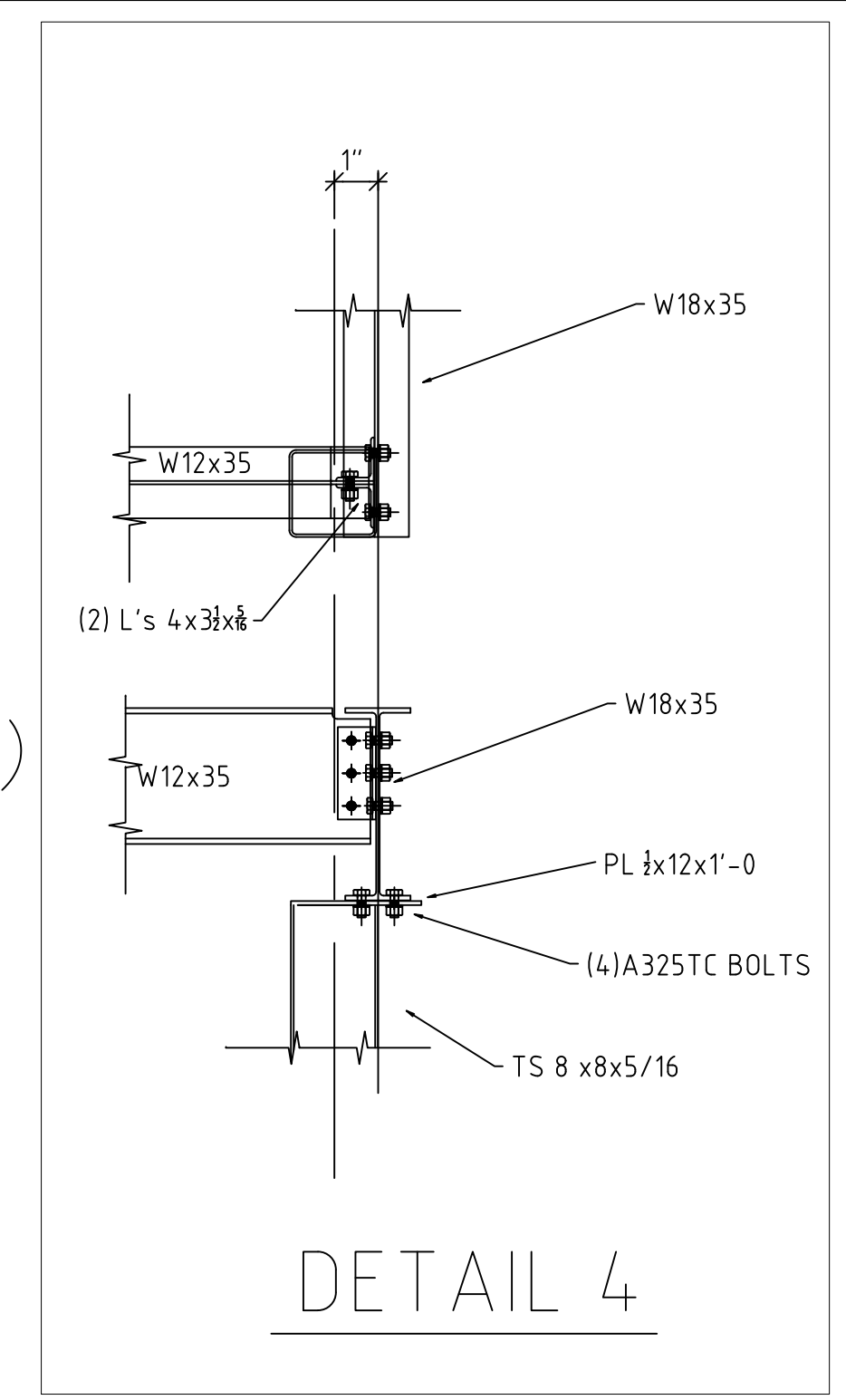


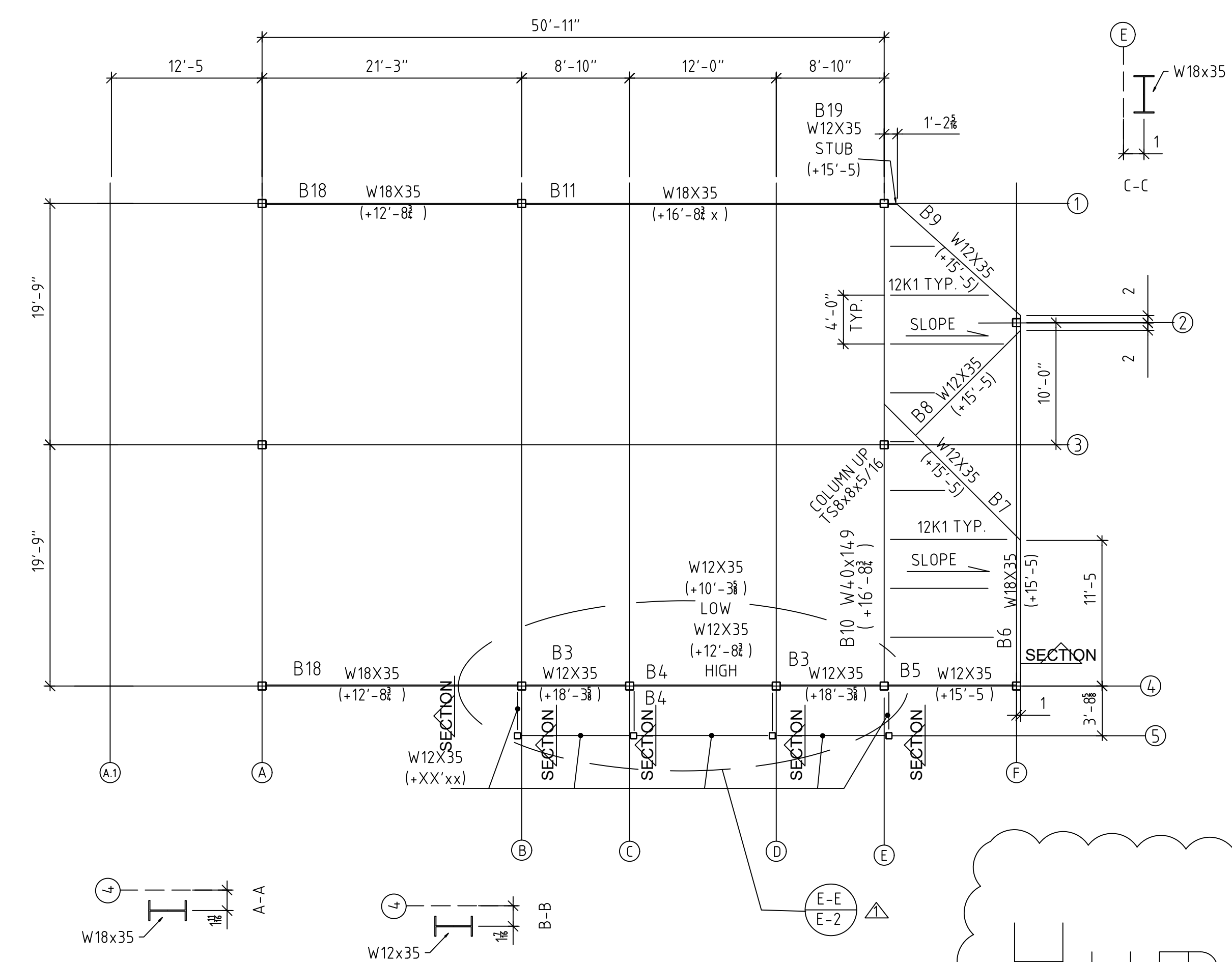
ROOF FRAMING PLAN



SECT. A-A

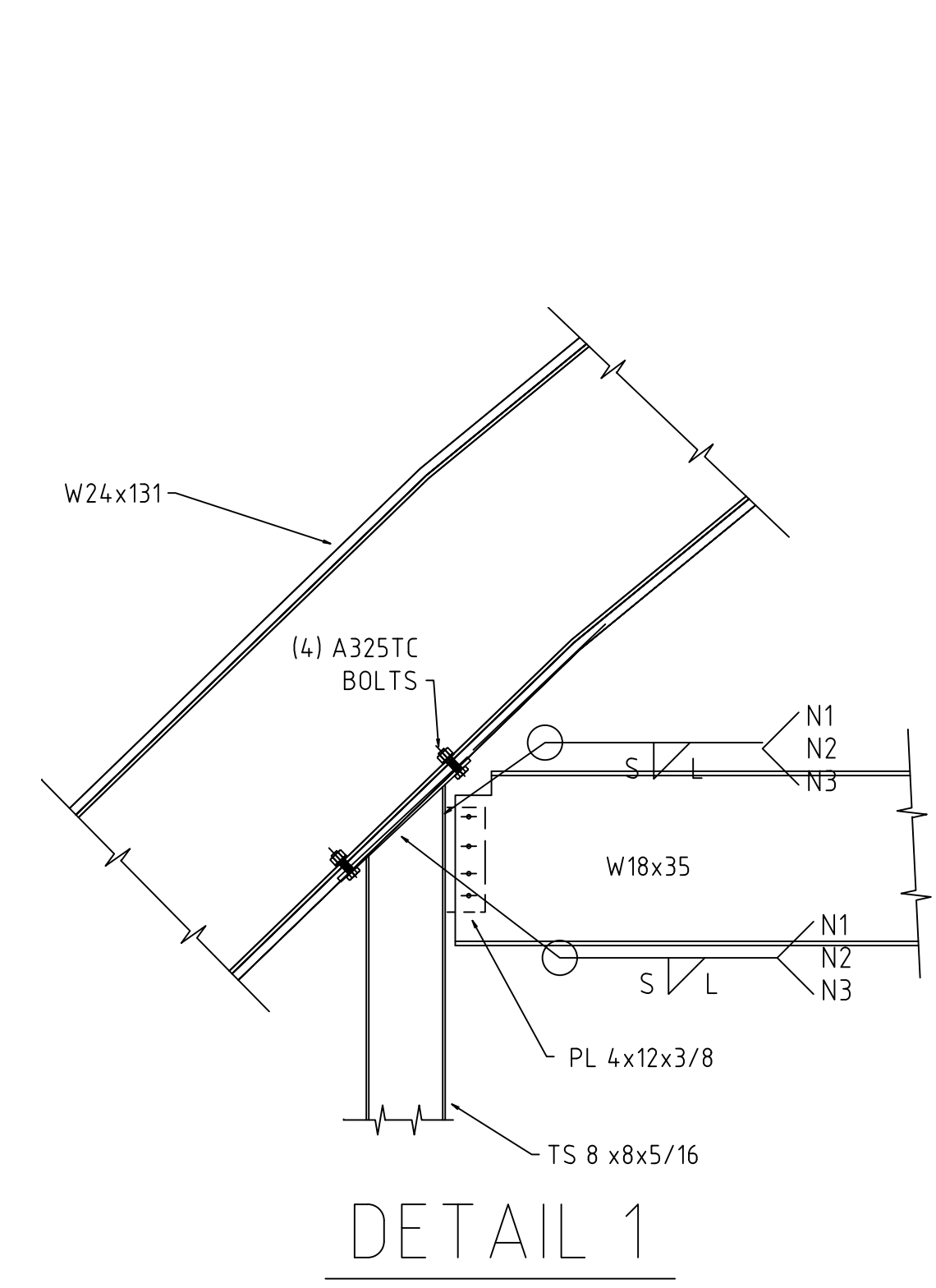


DETAIL 4

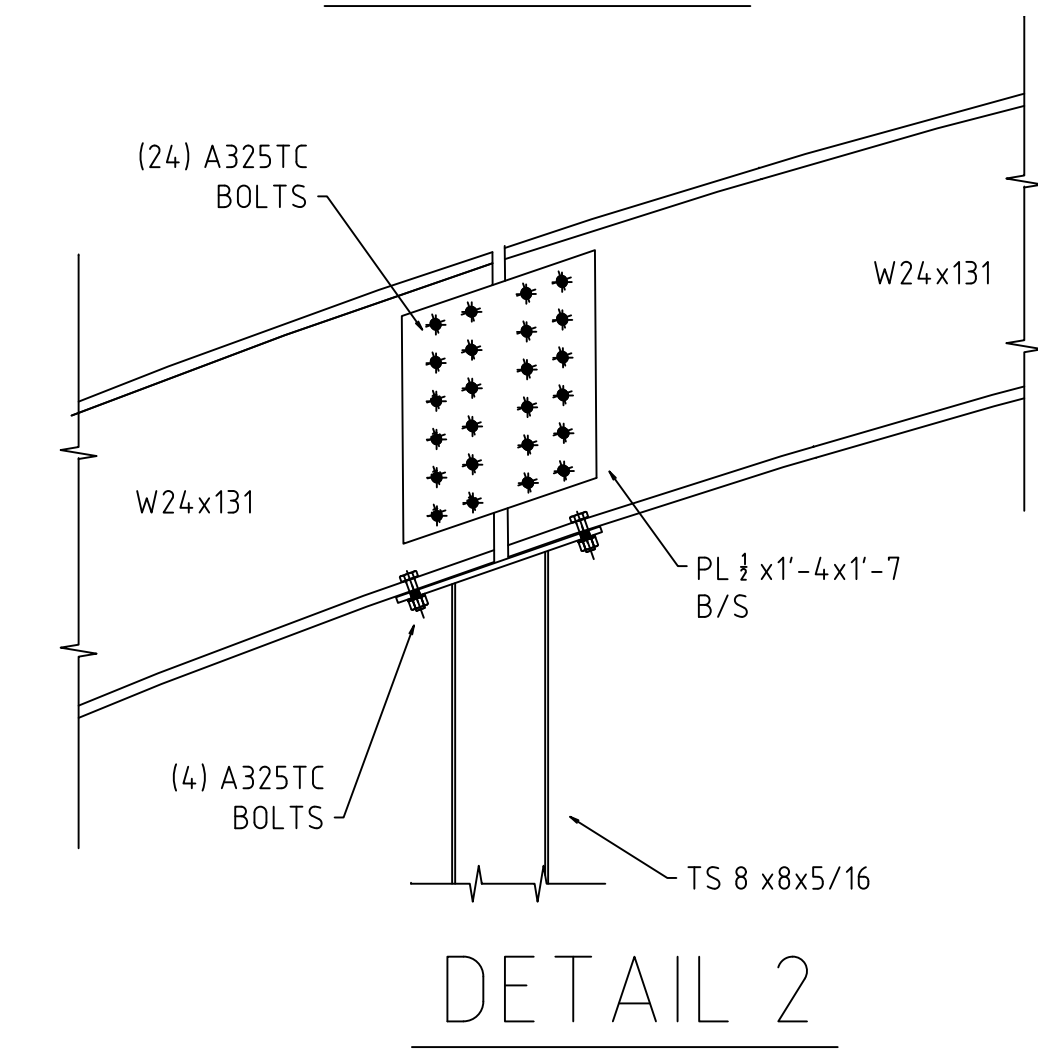


FIRST FLOOR FRAMING PLAN

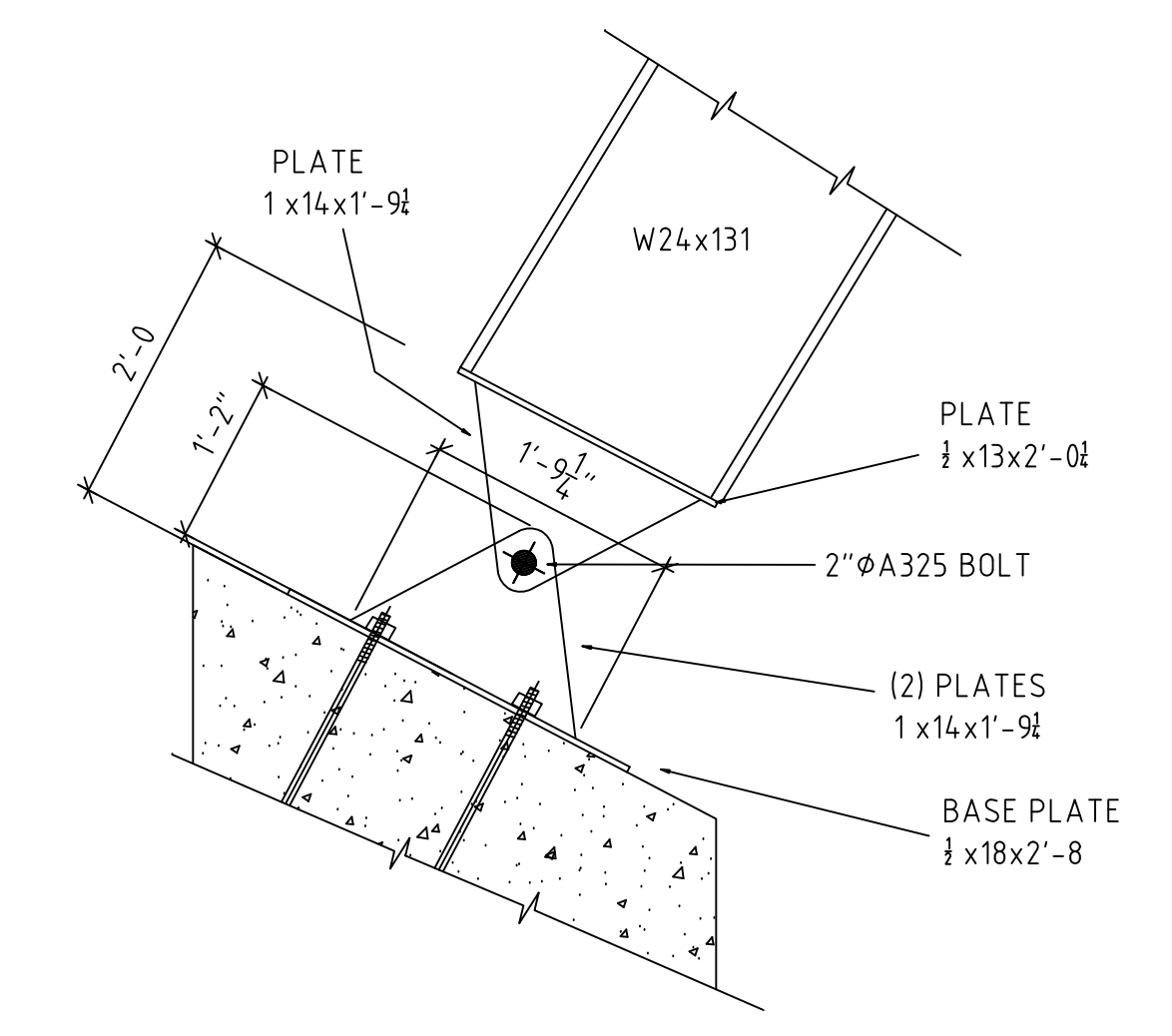
TOP OF FIRST FLOOR SLAB 0'-0"
 ALL ELEVATIONS FROM TOP OF FIRST FLOOR 0'-0" U/NOTED
 ALL COLUMNS TS 8 X 8 X 5/16 UNLESS NOTED OTHERWISE



DETAIL 1

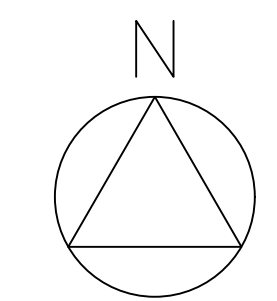


DETAIL 2



DETAIL 3

Hummer Dealership



REV.	DESCRIPTION	BY	DATE
FOR APPROVAL:	TO SHOP:	TO FIELD:	
R & R APPROVAL		AS BUILT:	
JOB NAME:		DRAWN BY: TB_INI	CHECKED BY:
LOCATION:		SCALE:	
CONTRACTOR:		DATE:	
DESCRIPTION:		JOB NUMBER	SHEET

